

Features

- 18½" (469) x 15" (381) x 7" (178) undermount bar or entertainment sink.
- Single compartment.
- 16 gauge 304 stainless steel.
- Rear center drain location.
- Brushed finish with highlight rim.
- Superior undercoating for added sound insulation.
- 3mm sound deadening pads on all 4 sink sides and bottom. Up to 3 times heavier than competitive models.
- Fits 24" base cabinet width.

Components

Product includes:
Cutout Template
Installation Hardware
Installation Instructions

Options

TSGM19151 Stainless Steel Bottom Sink Grid
TCBM814 Bamboo Cutting Board
2210R Covered Sink Strainer or
4010 Covered Disposer Strainer

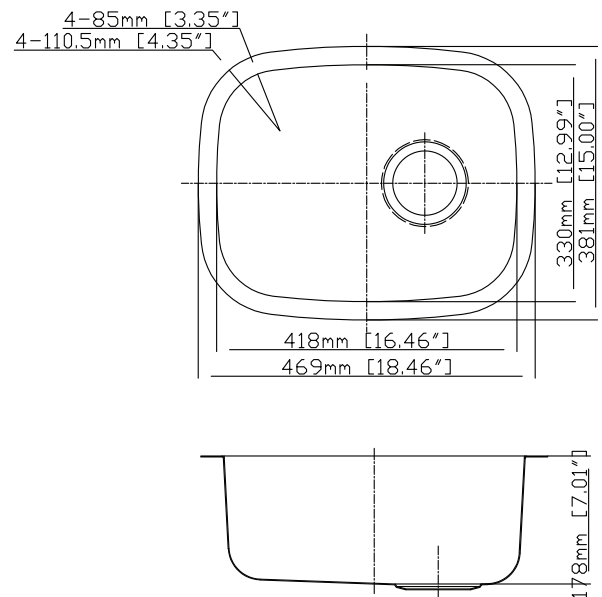
Warranty

- Lifetime Limited Warranty



Specified Model

Model	EPU31-19
Overall Dimensions	L18½" x W15" x D7" 469 x 381 x 178
Bowl Dimensions	L16²⁹⁄₆₄" x W13" x D7" 418 x 330 x 178
Drain hole:	3⁵⁄₈" (92mm)
Shipping Weight	15 lbs.
Material	16 gauge 304 stainless steel
Installation	under counter mounted
Required	template, included



Codes/Standards

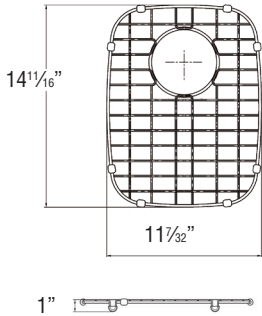
ASME A112.19.3/CSA B45.4

Notes

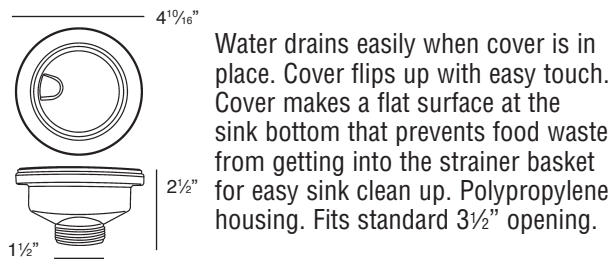
Install this product according to the installation instructions.

Optional Accessories

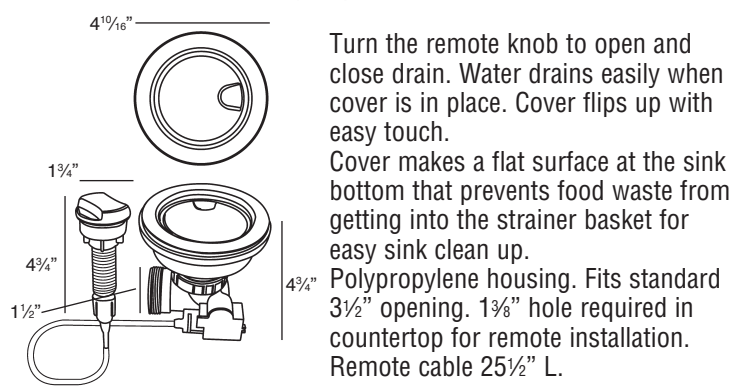
TSGM19151 Bottom Sink Grid



2210R Covered Flip Top Sink Strainer.



2310 Remote Covered Flip Top Sink Strainer.



4010 Covered Flip Top Disposer Strainer.

